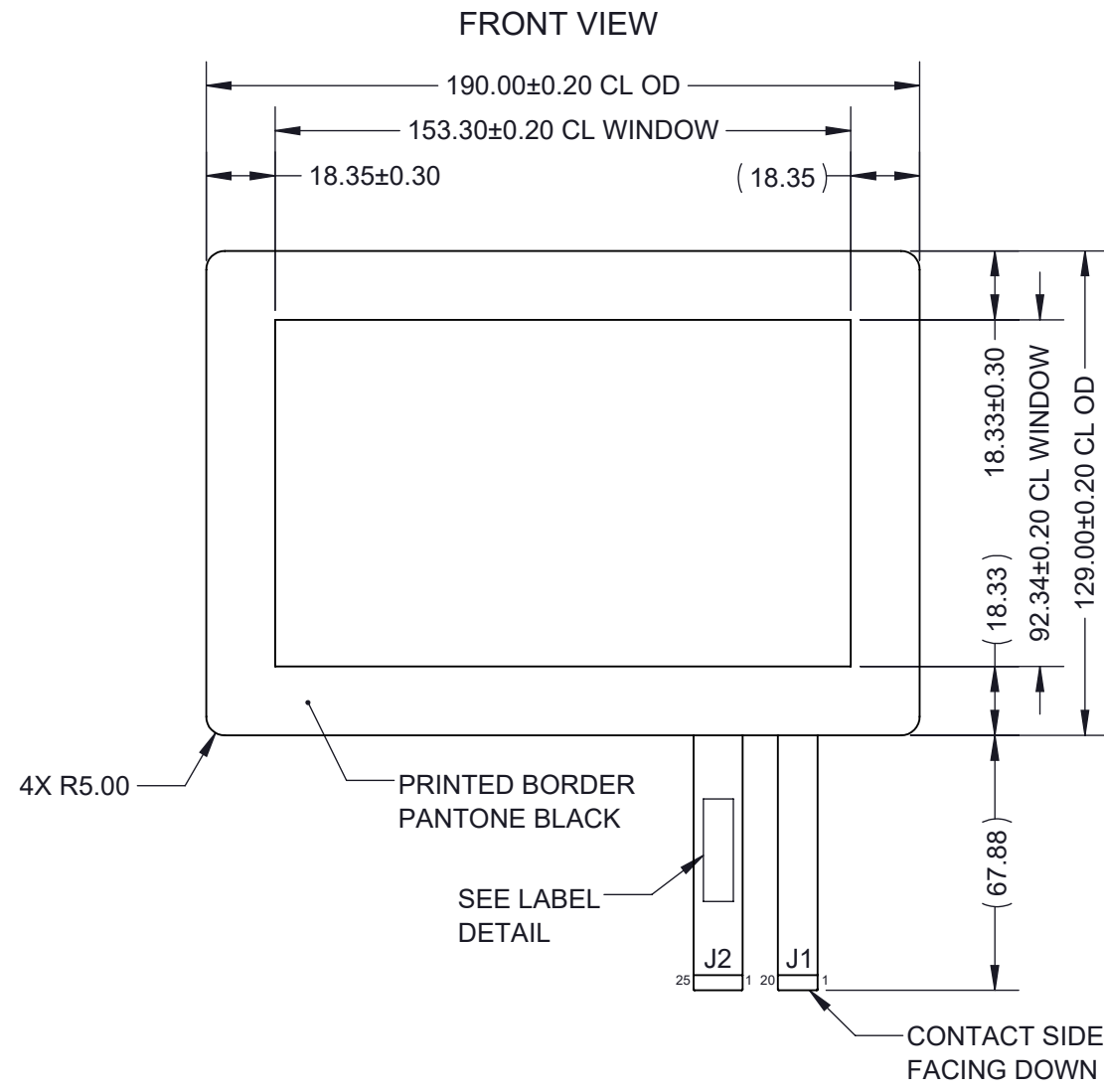
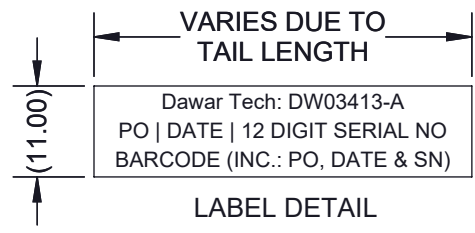
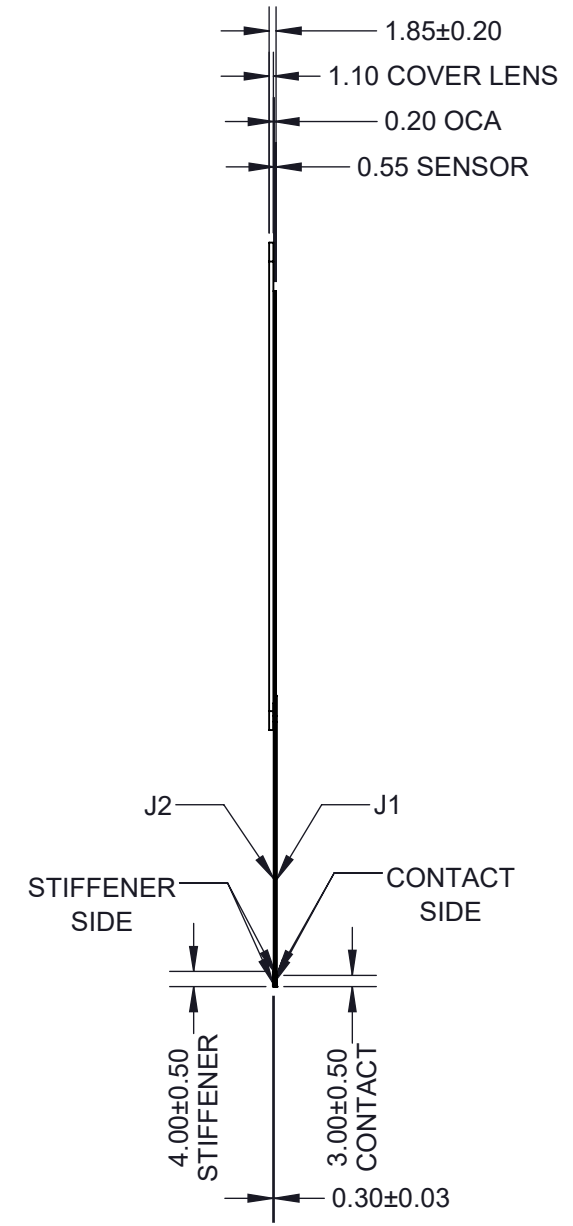


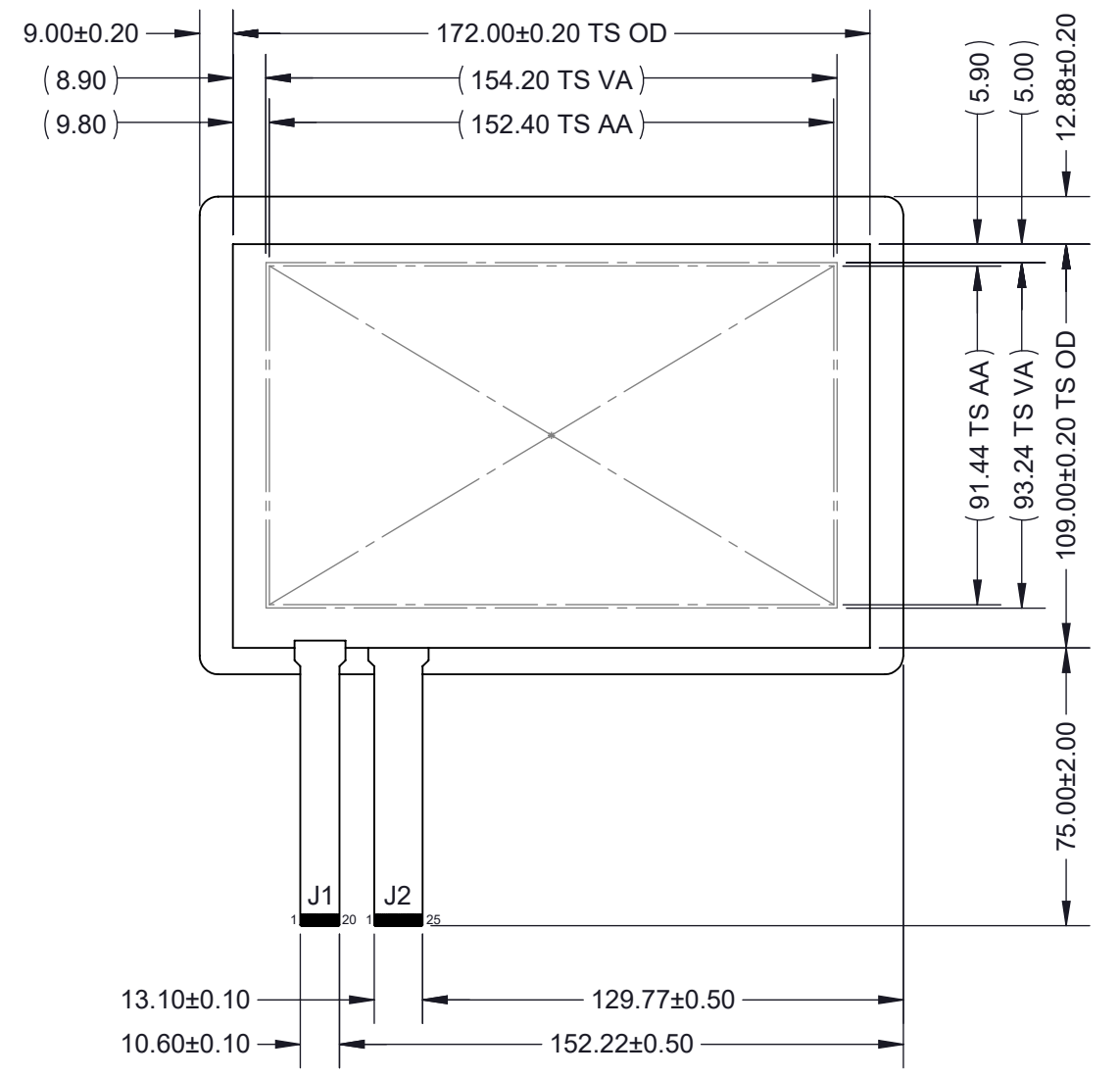
REVISIONS					
ITEM REV.	DWG REV.	ECO	DESCRIPTION	DWN	DATE
A	1	-	INITIAL RELEASE	EMK	01/20/20



SIDE VIEW



REAR VIEW



NOTES:

1. TAIL TYPE - FPC, GOLD PLATED.
2. PART IS ROHS COMPLIANT
3. DIMENSIONS IN PARENTHESIS ARE FOR REFERENCE ONLY.
4. SENSOR SPECIFICATION PER QAD 19-1 (CURRENT REVISION).
5. GG2 CONSTRUCTION.
6. FOR USE WITH 25X20 MICROCHIP CONTROLLER (REFER TO STANDARD BOARD CT10404).
7. TOUCH SENSOR - 0.55MM GLASS WITH DOUBLE-SIDE, INDEX MATCHED, ITO.
8. COVER LENS - 1.10MM CHEMICALLY STRENGTHENED, SODA LIME GLASS, W/DOUBLE ROUND, PENCIL GROUND EDGE.

1016 NORTH LINCOLN AVENUE, PITTSBURGH, PA 15233
 PHONE: 1.800.366.1904 - 412.322.9900
 FAX: 412.322.9958
 E-MAIL: SALES@DAWAR.COM - WWW.DAWAR.COM

THIS CONFIDENTIAL DOCUMENT IS THE PROPERTY OF DAWAR TECHNOLOGIES, INC. AND SHALL NOT BE COPIED, REPRODUCED, DISCLOSED, AND/OR USED AS THE BASIS FOR MANUFACTURING OR SALE WITHOUT PERMISSION OF A DULY AUTHORIZED REPRESENTATIVE OF DAWAR TECHNOLOGIES, INC.

ITEM/DRAWING NO. DW03414-A				DWG. REV. 1	
UNIT MM [INCH]	TOLERANCE ±0.25 [0.010] UNLESS SPECIFIED	SHEET 1 OF 1	DRAWN BY EMK	DATE 01/20/20	
DESCRIPTION 7.0"W Standard PCAP GG2 Atmel				CUSTOMER APPROVAL SIGNATURE:	
				DATE:	